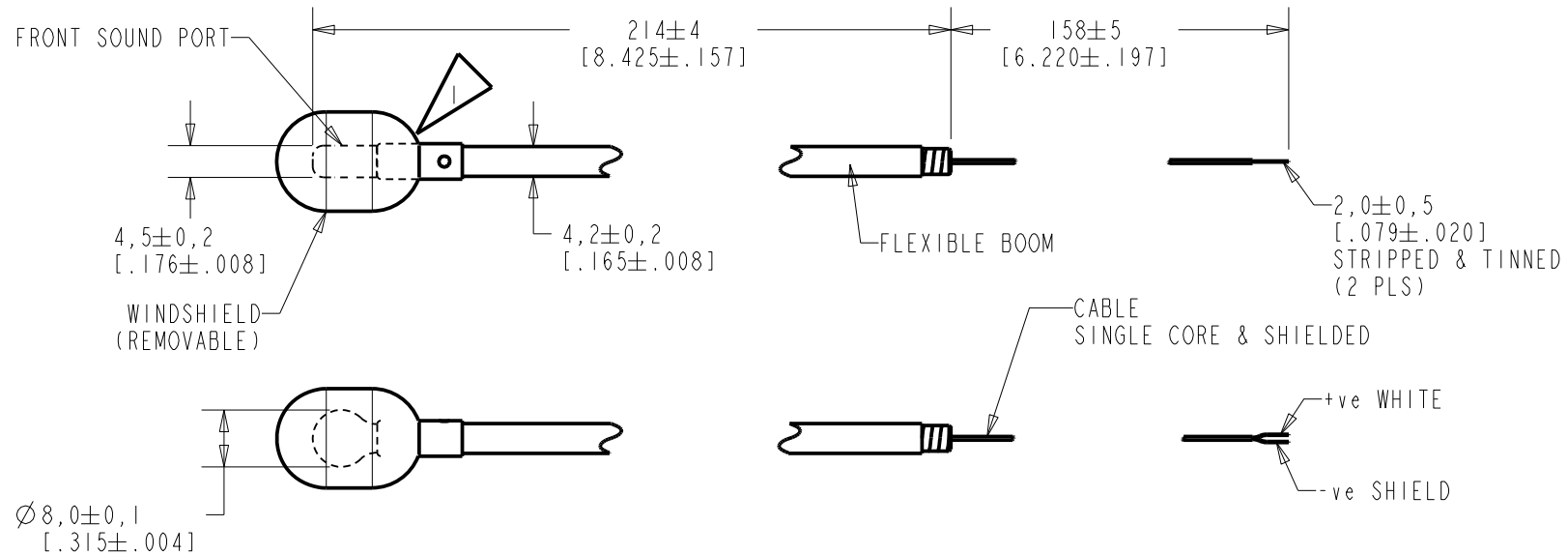


FB-DS-25966-000
SHT 1.1

THE FRONT SOUND PORT IS ADJACENT TO THE MODEL NUMBER IDENTIFICATION.



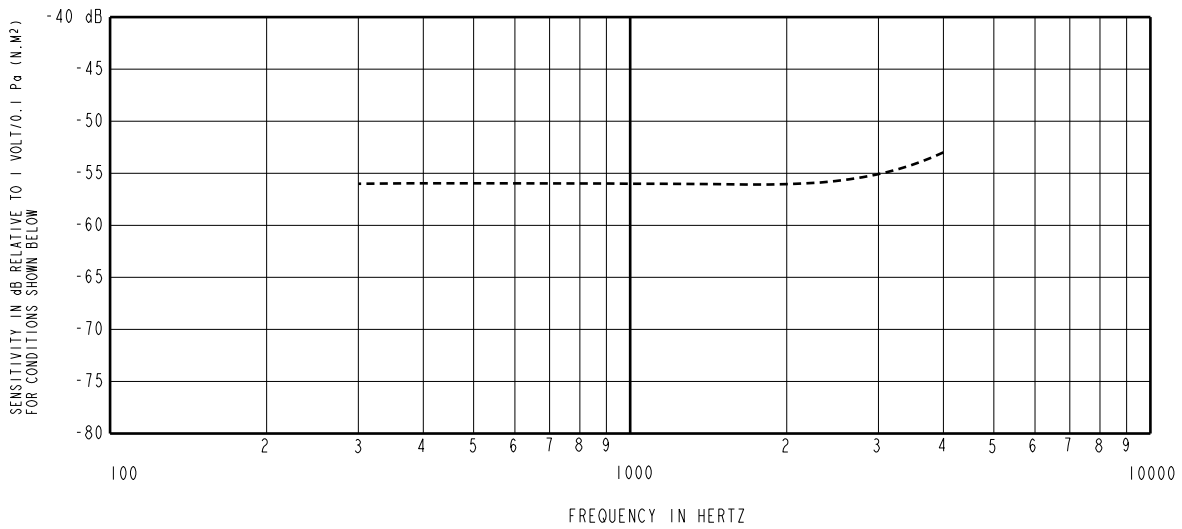
WIRE COLOR			WEIGHT GRAMS
+ve	OUTPUT	-ve	
WHITE		SHIELD	13.1

DIMENSIONS IN MILLIMETERS [INCHES]

Revision	C.O. #	Implementation Date	RELEASE LEVEL	REVISION
E	C40100871	12-22-11	Active	E
D	C40100852	12-6-11		

KNOWLES ELECTRONICS
ITASCA, ILLINOIS U.S.A.

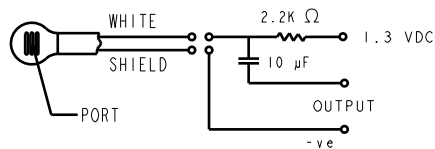
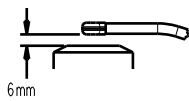
SCALE:	1:1	DR. BY	DATE
DO NOT SCALE DRAWING		DMS	10/13/05
TITLE:	ASSEMBLY	CK. BY	DATE
	FB-DS-25966-000	GJP	10/18/05
	OUTLINE DRAWING	APP. BY	DATE
	SHT 1.1	GJP	10/18/05



NOTES:

- MICROPHONE TO BE FUNCTIONAL WITH 10 VDC SUPPLY.
- SENSITIVITY VALUES INDICATED ON THIS SPECIFICATION ARE VALID AT 50% HUMIDITY.
- SENSITIVITY

FREQUENCY	MIN	NOM	MAX
300	-62.0	-58.0	-54.0
1000	-61.0	-58.0	-55.0
4000	-61.0	-58.0	-55.0
- TEST CONDITIONS:
HEAD OF BOOM EXPOSED TO 94 dB SPL SWEPT SOUND FIELD AT 6mm FROM VOICE APERTURE.
ARTIFICIAL VOICE:
B & K 4227 MOUTH SIMULATOR.
- FOR MICROPHONE CAPSULE SPEC. SEE WP-23501-000 SHEET 2.1



LEAD IDENTIFICATION & TEST CIRCUIT

Revision	C.O. #	Implementation Date	RELEASE LEVEL	REVISION
E	C40100871	12-22-11	Active	E
D	C40100852	12-6-11		
WHEN TEST LIMITS ARE USED TO ESTABLISH INCOMING INSPECTION ACCEPTANCE/REJECTION CRITERIA, CORRELATION OF TEST EQUIPMENT WITH KNOWLES IS ALSO REQUIRED FOR ELIMINATION OF EQUIPMENT AND TEST METHOD VARIATION			DR. BY	DATE
			DMS	10/13/05
			CK. BY	DATE
			GJP	10/18/05
			APP. BY	DATE
			GJP	10/18/05
TITLE:		ASSEMBLY	FB-DS-25966-000	
		PERFORMANCE SPECIFICATION	SHT 2.1	

KNOWLES ELECTRONICS
ITASCA, ILLINOIS U.S.A.